

Multi zone inverter mini split

**TOSOT**

MODEL: TM30H4O

Project Name:

Location:

Engineer Name:

Purshaser:

Unit Designation:

Schedule No.

SubmittedTo:

Date:

**General Features**

- High And Low Pressure Protection Features
- Over Load Protection Features

- Over-Current Protection
- Anti Freeze Protection



**Unit Performance:**

Cooling:	-	-
Capacity (Min Rated Max, Btu/h)	8,188-28,400,33,437	
SEER	21	
EER (Btu/h)/w	12.5	
Heating:	-	-
Capacity (Min Rated Max, Btu/h)	8,188-30,000-32,414	
HSPF	10.5	
COP (W/W)	3.74	

**Unit Specification**

Refrigerant Type	R410A
Refrigerant Control	EEV
Sound Pressure (dB(A))	59
Net Weight (lbs)	154
Min. Number IDU	N/A
Max. Number IDU	4
Dehumidification (Pint/h)	N/A
Heat Exchanger Coating	GoldFin™

**Piping**

Refrigerant Charge (lbs)	6.2
Liquid Line (in)	1/4
Gas Line (in)	3/8
Max Total Piping (ft)	229.6
Max ODU to IDU Piping (per zone, ft)	82
Total Piping Length (with factory charge, ft)	131.2
Max Elevation between ODU and IDU (ft)	49.2
Max Elevation between IDU and IDU (ft)	24.6

**Electrical Specification**

Power Supply	208-230V / 60Hz
Communications Wire Size	AWG 14/4
MOP (A)	30
MCA (A)	30
Cooling Rated Amps (A)	9.87
Heating Rated Amps (A)	10.22
Compressor RLA (A)	13.9
Fan Motor RLA (A)	0.53
Nominal Cooling Power Input (kW)	2.27
Nominal Heating Power Input (kW)	2.35

**Operating Range:**

Cooling (°F)	0-118
Heating (°F)	-5-75

**Compressor:**

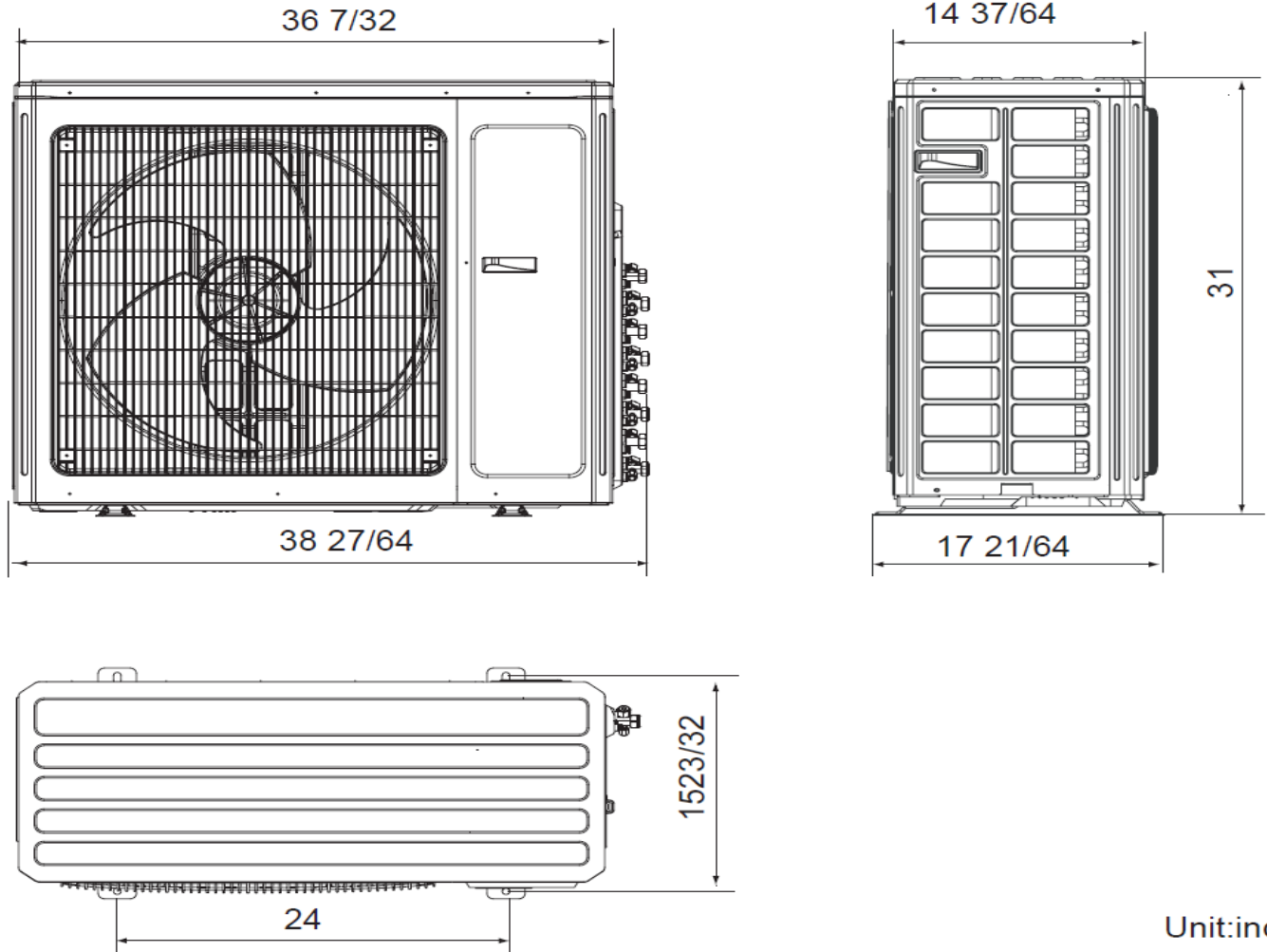
Quantity	1
Type	Inverter Rotary
Oil/Type	RB68EP

**Fan**

Type	Axial-flow
Quantity	1
Motor/Drive	DC motor/Direct drive
Max Air Flow Rate (CFM)	2354



Outline Dimension Diagram



Unit:inch

**GLOSSARY**

SEER - Seasonal Energy Efficiency Ratio

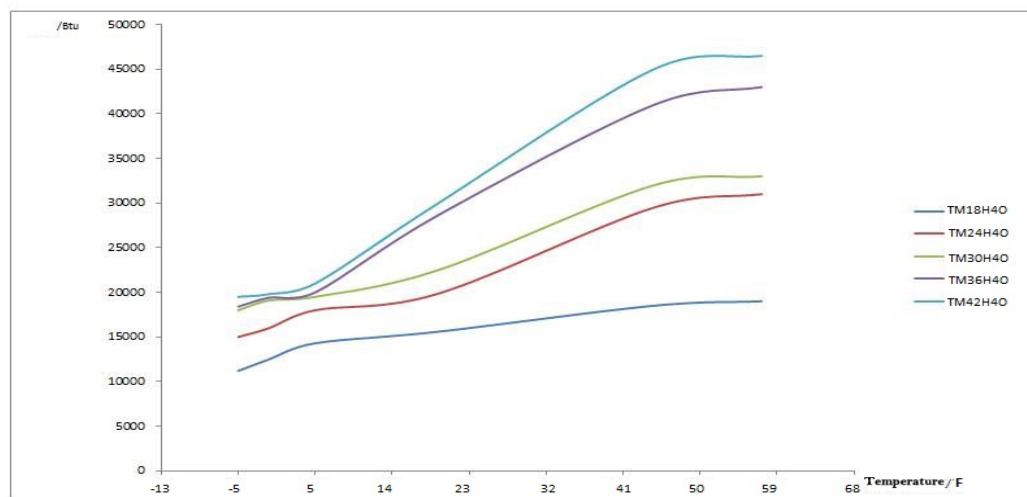
EER - Energy Efficiency Ratio

HSPF - Heating Seasonal Performance Factor

MOP - Maximum Overcurrent Protection

MCA - Minimum Circuit Ampacity

<u>COMBINATIONS</u>	<u>30K ODU</u>
09 + 09	✓
09 + 12	✓
09 + 18	✓
09 + 24	✓
12 + 12	✓
12 + 18	✓
12 + 24	✓
18 + 18	✓
18 + 24	✓
09 + 09 + 09	✓
09 + 09 + 12	✓
09 + 09 + 18	✓
09 + 09 + 24	✓
09 + 12 + 18	✓
12 + 12 + 12	✓
12 + 12 + 18	✓
09 + 09 + 09 + 09	✓
09 + 09 + 09 + 12	✓



Approved By: \_\_\_\_\_

Signature

Date

**TOSOT**

315 Boulevard Industriel, Châteauguay, QC, Canada J6J 4Z2

Contact: +1 (450) 698-4000

[info@tosotamerica.com](mailto:info@tosotamerica.com)[tosotamerica.com](http://tosotamerica.com)